

DISTRIBUCIÓN DE AGUA DIARIA DE LA JUNTA DE USUARIOS PAMPA DE MAJES

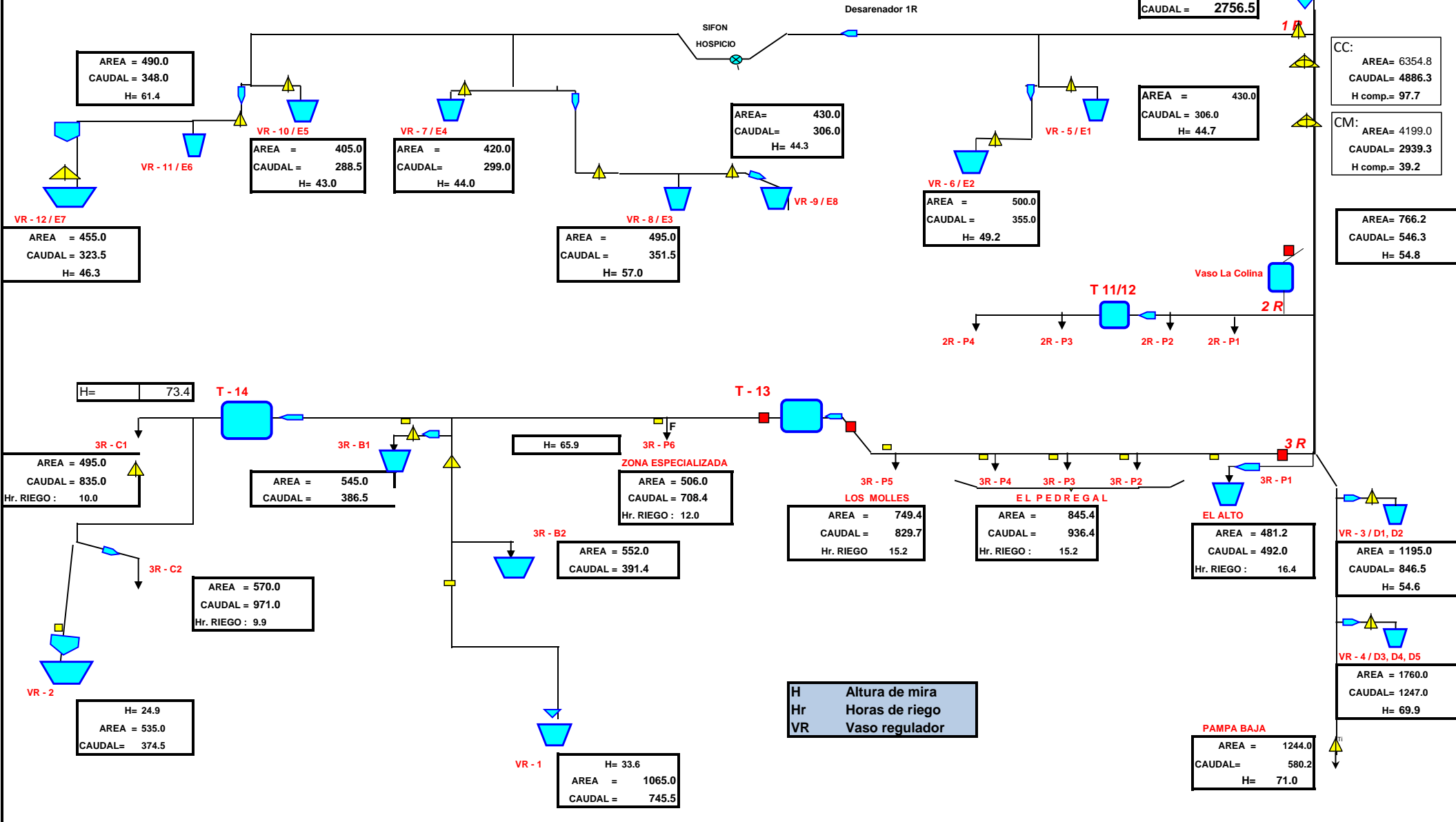
FECHA: 7/03/2024
HORA: 08:00 a.m

Caudal Majes : 12.00 m3/s

Módulo de Riego = 0.70 (l/s/ha)

1R
H= 49.2
AREA = 3625.0
CAUDAL = 2756.5

BOCATOMA PITAY
DESARENADOR TERMINAL



CC: AREA= 6354.8
CAUDAL= 4886.3
H comp.= 97.7

CM: AREA= 4199.0
CAUDAL= 2939.3
H comp.= 39.2

AREA= 766.2
CAUDAL= 546.3
H= 54.8

VR - 3 / D1, D2
AREA = 1195.0
CAUDAL= 846.5
H= 54.6

VR - 4 / D3, D4, D5
AREA = 1760.0
CAUDAL= 1247.0
H= 69.9

PAMPA BAJA
AREA = 1244.0
CAUDAL= 580.2
H= 71.0

H Altura de mira
Hr Horas de riego
VR Vaso regulador

AREA = 490.0
CAUDAL = 348.0
H= 61.4

VR - 12 / E7
AREA = 455.0
CAUDAL = 323.5
H= 46.3

VR - 10 / E5
AREA = 405.0
CAUDAL = 288.5
H= 43.0

VR - 7 / E4
AREA = 420.0
CAUDAL = 299.0
H= 44.0

VR - 8 / E3
AREA = 495.0
CAUDAL = 351.5
H= 57.0

AREA = 430.0
CAUDAL = 306.0
H= 44.3

VR - 6 / E2
AREA = 500.0
CAUDAL = 355.0
H= 49.2

AREA = 430.0
CAUDAL = 306.0
H= 44.7

H= 73.4

3R - C1
AREA = 495.0
CAUDAL = 835.0
Hr. RIEGO : 10.0

3R - B1
AREA = 545.0
CAUDAL = 386.5

H= 65.9
3R - P6
ZONA ESPECIALIZADA
AREA = 506.0
CAUDAL = 708.4
Hr. RIEGO : 12.0

3R - B2
AREA = 552.0
CAUDAL = 391.4

3R - P5
LOS MOLLES
AREA = 749.4
CAUDAL = 829.7
Hr. RIEGO : 15.2

3R - P4
EL PEDREGAL
AREA = 845.4
CAUDAL = 936.4
Hr. RIEGO : 15.2

3R - P1
EL ALTO
AREA = 481.2
CAUDAL = 492.0
Hr. RIEGO : 16.4

3R - C2
AREA = 570.0
CAUDAL = 971.0
Hr. RIEGO : 9.9

VR - 2
H= 24.9
AREA = 535.0
CAUDAL = 374.5

VR - 1
H= 33.6
AREA = 1065.0
CAUDAL = 745.5